

Technical data sheet

Product features



Substructure freezer electric GN 1/1 plate 4 cm 3x2 drawers stainless steel

| | | |
|--------------|-----------------|----------|
| Model | SAP Code | 00012035 |
|--------------|-----------------|----------|



- Material: AISI 304
- GN / EN size in device: GN 1/1
- Number of GN / EN: 6
- Control type: Digital
- Minimum device temperature [°C]: -10
- Maximum device temperature [°C]: -24
- Max ambient temperature [°C]: 40
- Insulation thickness [mm]: 50
- Unit: Right
- Automatic defrost: Yes

| | | | |
|----------------------------|--------------------|--|--------|
| SAP Code | 00012035 | Chamber volume [l] | 129 |
| Net Width [mm] | 1600 | Number of GN / EN | 6 |
| Net Depth [mm] | 685 | GN / EN size in device | GN 1/1 |
| Net Height [mm] | 613 | Minimum device temperature [°C] | -10 |
| Net Weight [kg] | 147.00 | Maximum device temperature [°C] | -24 |
| Power electric [kW] | 0.353 | Refrigerant | R290 |
| Loading | 230 V / 1N - 50 Hz | | |

Technical data sheet

Technical drawing

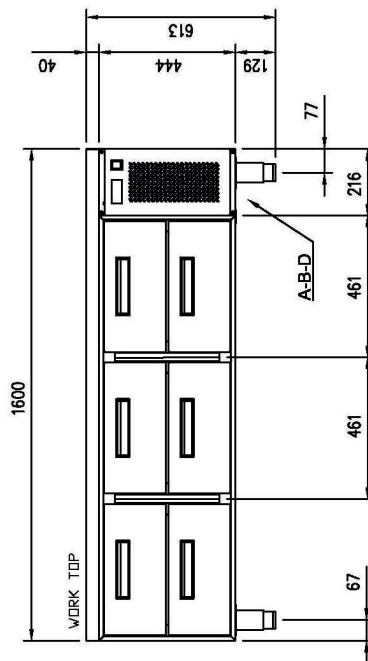
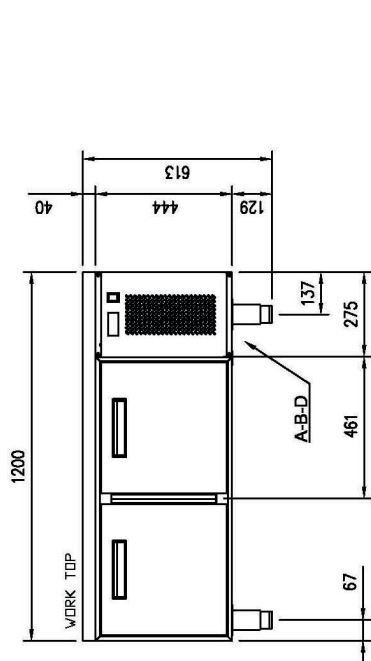
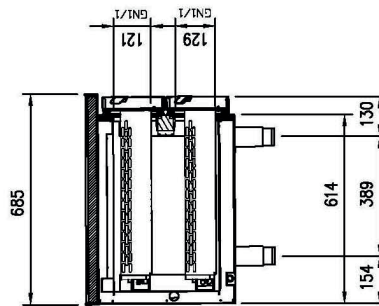
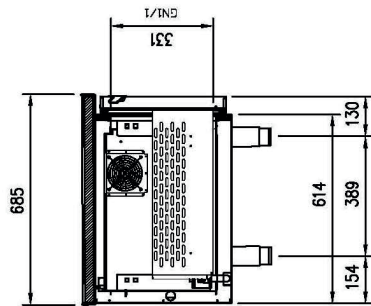


Substructure freezer electric GN 1/1 plate 4 cm 3x2 drawers stainless steel

Model

SAP Code

00012035



A= ELECTRICAL CONNECTION
 B= GAS CONNECTION ø8 ø10
 D= WATER DISCHARGE ø20 (M)

Technical data sheet

Technical parameters



Substructure freezer electric GN 1/1 plate 4 cm 3x2 drawers stainless steel

Model

SAP Code

00012035

1. SAP Code:

00012035

2. Net Width [mm]:

1600

3. Net Depth [mm]:

685

4. Net Height [mm]:

613

5. Net Weight [kg]:

147.00

6. Gross Width [mm]:

1620

7. Gross depth [mm]:

705

8. Gross Height [mm]:

700

9. Gross Weight [kg]:

172.30

10. Device type:

Electric unit

11. Power electric [kW]:

0.353

12. Loading:

230 V / 1N - 50 Hz

13. Refrigerant:

R290

14. Material:

AISI 304

15. Exterior color of the device:

Stainless steel

16. Max ambient temperature [°C]:

40

17. Device properties 2:

Freezing

18. GN / EN size in device:

GN 1/1

19. Number of internal parts:

6

20. Number of GN / EN:

6

21. Chamber volume [l]:

129

22. Insulation thickness [mm]:

50

23. Unit:

Right

24. Control type:

Digital

25. Annual energy consumption [kWh]:

3560

26. Minimum device temperature [°C]:

-10

27. Maximum device temperature [°C]:

-24

28. Automatic defrost:

Yes

Technical data sheet

Technical parameters



Substructure freezer electric GN 1/1 plate 4 cm 3x2 drawers stainless steel

Model

SAP Code

00012035

29. Gross Volume [m3]:

0.799

31. Cross-section of conductors CU [mm²]:

0,5

– Výkon (kW): 2,4-3,3 (230 V)

30. Net Volume [m3]:

0.672